



Spare parts for:
Coffee grinders



Suitable for:

EUREKA



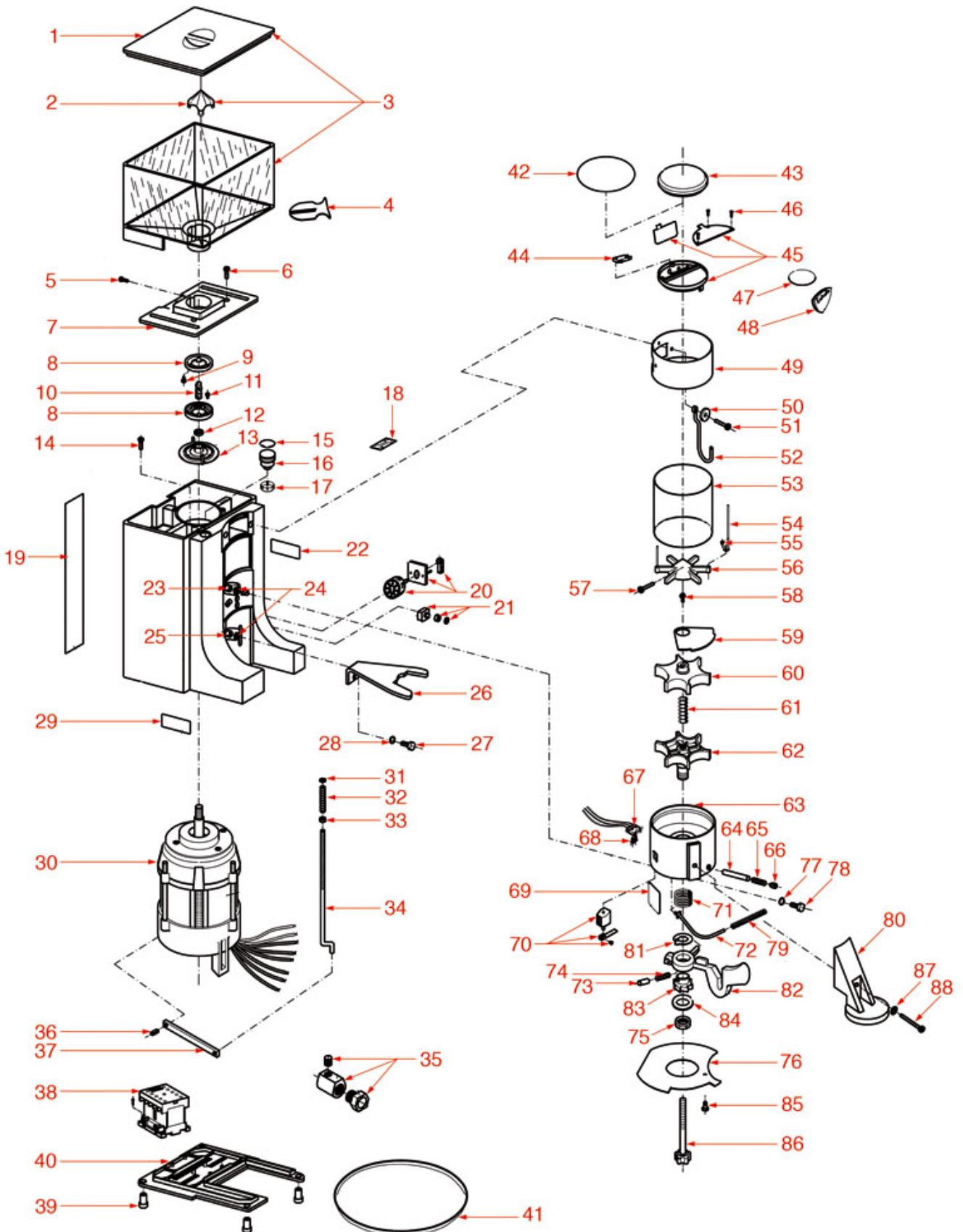
This catalogue is automatically generated.
Therefore, the sequence of the items might
not be always shown at best.
Updates will be issued in case of additions
and/or amendments.
Suitable universal spare parts may not be included





GRINDER ASSEMBLY LUSO MDLCA65-MDLCA75

LUSO MDLCA65 - MDLCA75



EUMC01

Positions without LF code no.: upon request



EUREKA

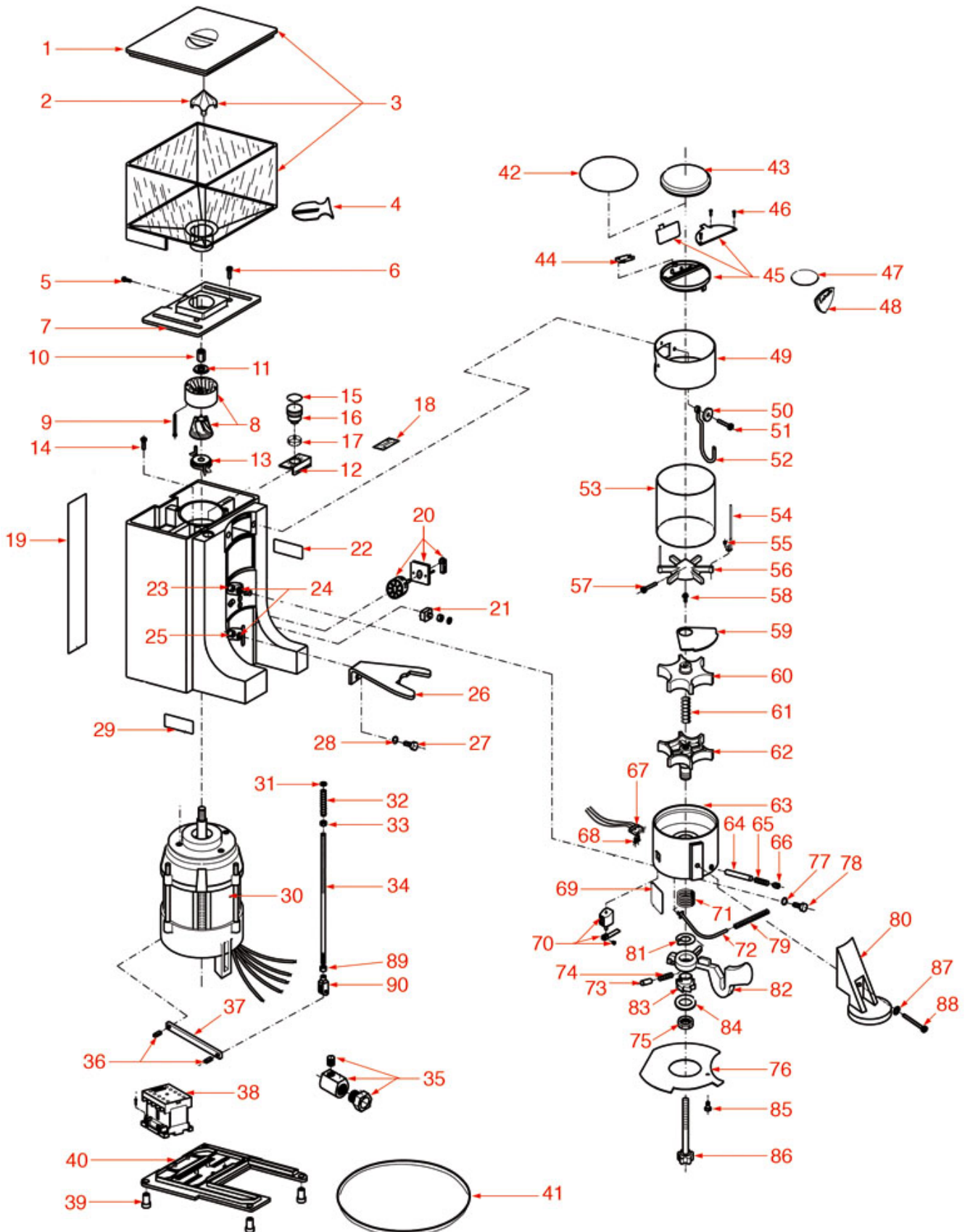


Position	LF code no.	Description
1	1080057	COFFEE HOPPER LID 168x168 mm
2	1080058	COFFEE HOPPER INNER PROTECTION
3	1080054	COMPLETE COFFEE HOPPER
4	1080059	COFFEE CONTAINER CLOSING SHEET
5	1528100	CROSS HEAD SCREW M4x12 UNI 7687
8	1251060	GRINDING BURRS EUREKA (PAIR) RIGHT
8	1251074	GRINDING BURRS EUREKA (PAIR) RIGHT
9	1528001	SCREW M4x10 UNI 6109
10	1528038	GRINDING BURRS HOLDER LOCKING NUT
11	1528001	SCREW M4x10 UNI 6109
12	1186504	STAINLESS STEEL WASHER \varnothing 29x10.6x2 mm
13	1251058	GRINDING BURRS BOTTOM HOLDER
13	1251059	GRINDING BURRS BOTTOM HOLDER
16	1241113	ADJUSTMENT KNOB
20	1057008	SELECTOR SWITCH 0-1 POSITIONS
21	1240040	PUSH-BUTTON MICROSWITCH
25	1528030	ST.STEEL HEXAGONAL NUT M6 UNI 5588
26	1252389	FILTER HOLDER FORK
27	3528112	S/S SCREW T.E. M6x16 UNI 5739 DIN 24017
32	1250131	TIE ROD ADJUSTMENT SPRING \varnothing 10x60 mm
33	1528030	ST.STEEL HEXAGONAL NUT M6 UNI 5588
41	1252385	COFFEE COLLECTING TRAY \varnothing 170 mm
43	1252386	DOSER LID \varnothing 125 mm
44	3240123	MICROSWITCH 16A 250V
45	1252391	AUTOMATIC MICROSWITCH BOX
53	1252387	DOSER CYLINDER \varnothing 117x91 mm
54	1252393	DOSER SCRAPER
56	1343034	PLASTIC TOP STAR
58	1528631	CROSS HEAD SCREW M4x8 UNI 7687
59	1252392	DIVIDING SHEET
60	1343035	ALUMINUM MIDDLE STAR
61	1250132	STAR SPRING \varnothing 16x60 mm
62	1343037	ALUMINUM BOTTOM STAR
64	1252397	DOSER GROUP PIN \varnothing 5x30 mm
65	1250087	SPRING \varnothing 4.5x12 mm
67	1240028	MICROSWITCH 6A 250V
70	1252390	COUNTER FOR COFFEE GRINDER
71	1250133	STAR SPRING \varnothing 36x23 mm
73	1252396	DOSER GROUP PIN \varnothing 5x18 mm
74	1250087	SPRING \varnothing 4.5x12 mm
75	1528039	NUT FOR DOSER GROUP
78	1528009	S/S SCREW T.E.M6x12 mm UNI 5739 DIN24017
79	1250134	DOSER LEVER RETURN SPRING 8x85 mm
80	1385012	COFFEE TAMPER \varnothing 56 mm
81	1252395	WASHER FOR DOSER LEVER
82	1225023	DOSER LEVER
83	1252394	DOSER PAWL



GRINDER ASSEMBLY LUSO MDLCA/C

LUSO MDLCA/C



EUMC02

Positions without LF code no.: upon request



EUREKA

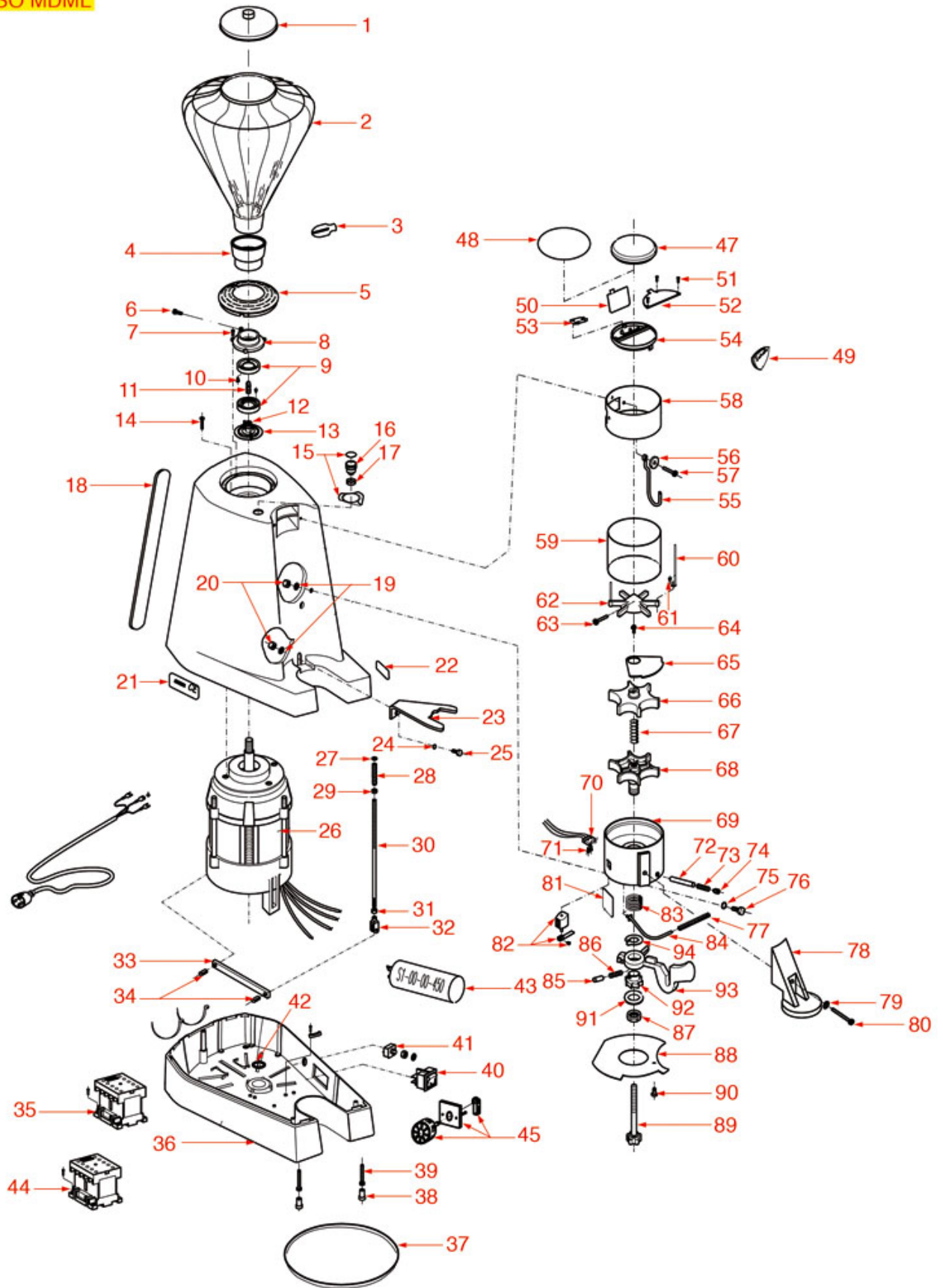


Position	LF code no.	Description
1	1080057	COFFEE HOPPER LID 168x168 mm
2	1080058	COFFEE HOPPER INNER PROTECTION
3	1080054	COMPLETE COFFEE HOPPER
4	1080059	COFFEE CONTAINER CLOSING SHEET
5	1528100	CROSS HEAD SCREW M4x12 UNI 7687
8	1251038	CONICAL GRINDING BURRS EUREKA (PAIR) RH
16	1241113	ADJUSTMENT KNOB
20	1057008	SELECTOR SWITCH 0-1 POSITIONS
21	1240040	PUSH-BUTTON MICROSWITCH
25	1528030	ST.STEEL HEXAGONAL NUT M6 UNI 5588
26	1252389	FILTER HOLDER FORK
27	3528112	S/S SCREW T.E. M6x16 UNI 5739 DIN 24017
32	1250131	TIE ROD ADJUSTMENT SPRING \varnothing 10x60 mm
33	1528030	ST.STEEL HEXAGONAL NUT M6 UNI 5588
41	1252385	COFFEE COLLECTING TRAY \varnothing 170 mm
43	1252386	DOSER LID \varnothing 125 mm
44	3240123	MICROSWITCH 16A 250V
45	1252391	AUTOMATIC MICROSWITCH BOX
53	1252387	DOSER CYLINDER \varnothing 117x91 mm
54	1252393	DOSER SCRAPER
56	1343034	PLASTIC TOP STAR
58	1528631	CROSS HEAD SCREW M4x8 UNI 7687
59	1252392	DIVIDING SHEET
60	1343035	ALUMINUM MIDDLE STAR
61	1250132	STAR SPRING \varnothing 16x60 mm
62	1343037	ALUMINUM BOTTOM STAR
64	1252397	DOSER GROUP PIN \varnothing 5x30 mm
65	1250087	SPRING \varnothing 4.5x12 mm
67	1240028	MICROSWITCH 6A 250V
70	1252390	COUNTER FOR COFFEE GRINDER
71	1250133	STAR SPRING \varnothing 36x23 mm
73	1252396	DOSER GROUP PIN \varnothing 5x18 mm
74	1250087	SPRING \varnothing 4.5x12 mm
75	1528039	NUT FOR DOSER GROUP
78	1528009	S/S SCREW T.E.M6x12 mm UNI 5739 DIN24017
79	1250134	DOSER LEVER RETURN SPRING 8x85 mm
80	1385012	COFFEE TAMPER \varnothing 56 mm
81	1252395	WASHER FOR DOSER LEVER
82	1225023	DOSER LEVER
83	1252394	DOSER PAWL



GRINDER ASSEMBLY LUSSO MDML

LUSSO MDML



EUMC03

Positions without LF code no.: upon request



EUREKA

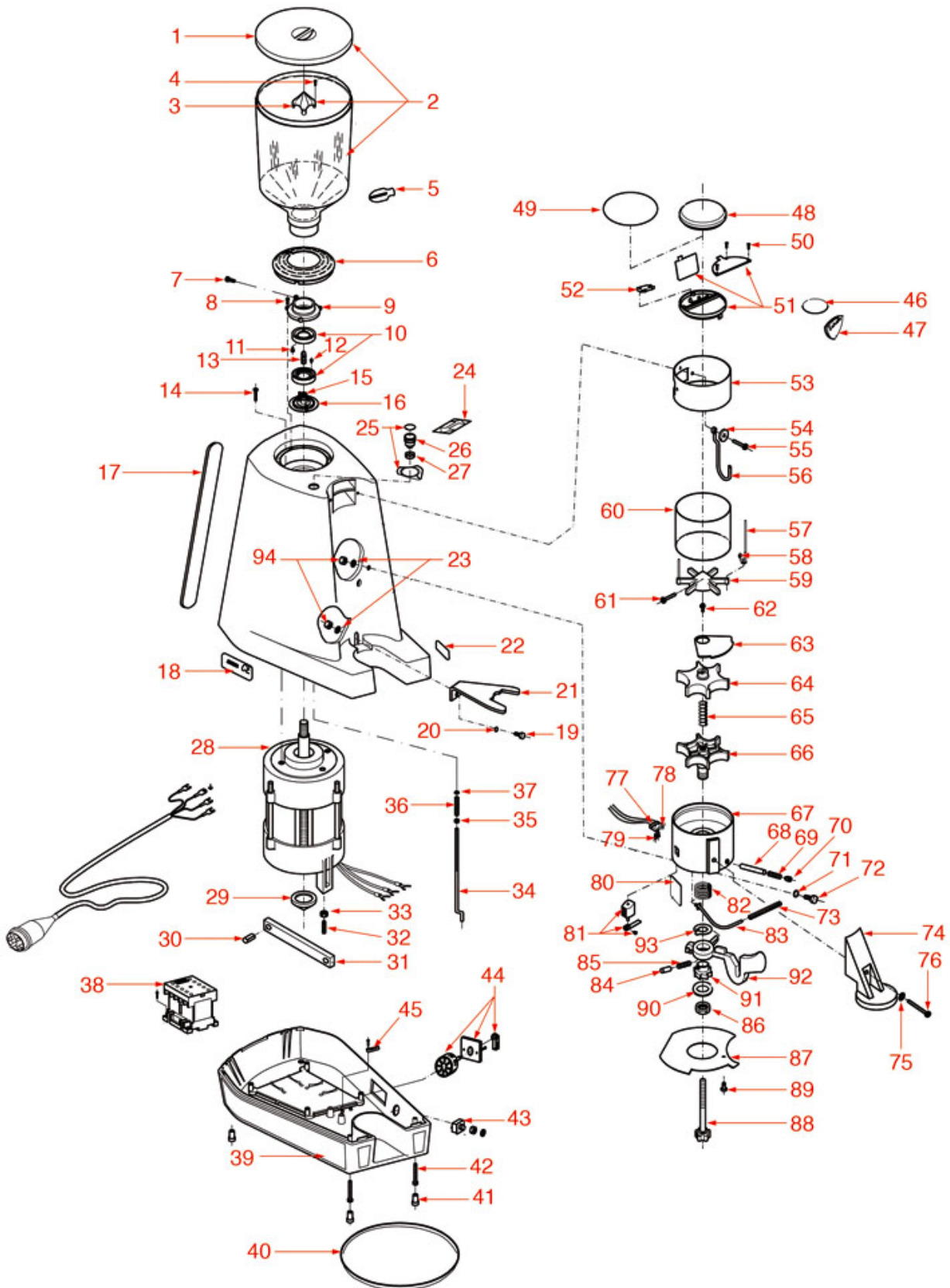


Position	LF code no.	Description
1	1080051	COFFEE HOPPER LID
2	1080052	GLASS COFFEE HOPPER
3	1080059	COFFEE CONTAINER CLOSING SHEET
5	1251064	TOP GRINDING BURRS COVER
6	1528100	CROSS HEAD SCREW M4x12 UNI 7687
9	1251060	GRINDING BURRS EUREKA (PAIR) RIGHT
10	1528001	SCREW M4x10 UNI 6109
11	1528038	GRINDING BURRS HOLDER LOCKING NUT
12	1186504	STAINLESS STEEL WASHER \varnothing 29x10.6x2 mm
13	1251058	GRINDING BURRS BOTTOM HOLDER
16	1241113	ADJUSTMENT KNOB
20	1528030	ST.STEEL HEXAGONAL NUT M6 UNI 5588
23	1252389	FILTER HOLDER FORK
25	3528112	S/S SCREW T.E. M6x16 UNI 5739 DIN 24017
28	1250131	TIE ROD ADJUSTMENT SPRING \varnothing 10x60 mm
29	1528030	ST.STEEL HEXAGONAL NUT M6 UNI 5588
31	1528030	ST.STEEL HEXAGONAL NUT M6 UNI 5588
37	1252385	COFFEE COLLECTING TRAY \varnothing 170 mm
38	1313005	FOOT \varnothing 20 mm
40	3319294	BLACK BIPOLAR SWITCH 16A 250V
41	1240040	PUSH-BUTTON MICROSWITCH
45	1057008	SELECTOR SWITCH 0-1 POSITIONS
47	1252386	DOSER LID \varnothing 125 mm
53	3240123	MICROSWITCH 16A 250V
59	1252388	DOSER CYLINDER \varnothing 114x67 mm
60	1252393	DOSER SCRAPER
62	1343034	PLASTIC TOP STAR
64	1528631	CROSS HEAD SCREW M4x8 UNI 7687
65	1252392	DIVIDING SHEET
66	1343035	ALUMINUM MIDDLE STAR
67	1250132	STAR SPRING \varnothing 16x60 mm
68	1343037	ALUMINUM BOTTOM STAR
70	1240028	MICROSWITCH 6A 250V
72	1252397	DOSER GROUP PIN \varnothing 5x30 mm
73	1250087	SPRING \varnothing 4.5x12 mm
76	3528112	S/S SCREW T.E. M6x16 UNI 5739 DIN 24017
77	1250134	DOSER LEVER RETURN SPRING 8x85 mm
78	1385012	COFFEE TAMPER \varnothing 56 mm
82	1252390	COUNTER FOR COFFEE GRINDER
83	1250133	STAR SPRING \varnothing 36x23 mm
85	1252396	DOSER GROUP PIN \varnothing 5x18 mm
86	1250087	SPRING \varnothing 4.5x12 mm
87	1528039	NUT FOR DOSER GROUP
92	1252394	DOSER PAWL
93	1225023	DOSER LEVER
94	1252395	WASHER FOR DOSER LEVER



GRINDER ASSEMBLY MONDIAL MDMC

MONDIAL MDMC





EUREKA

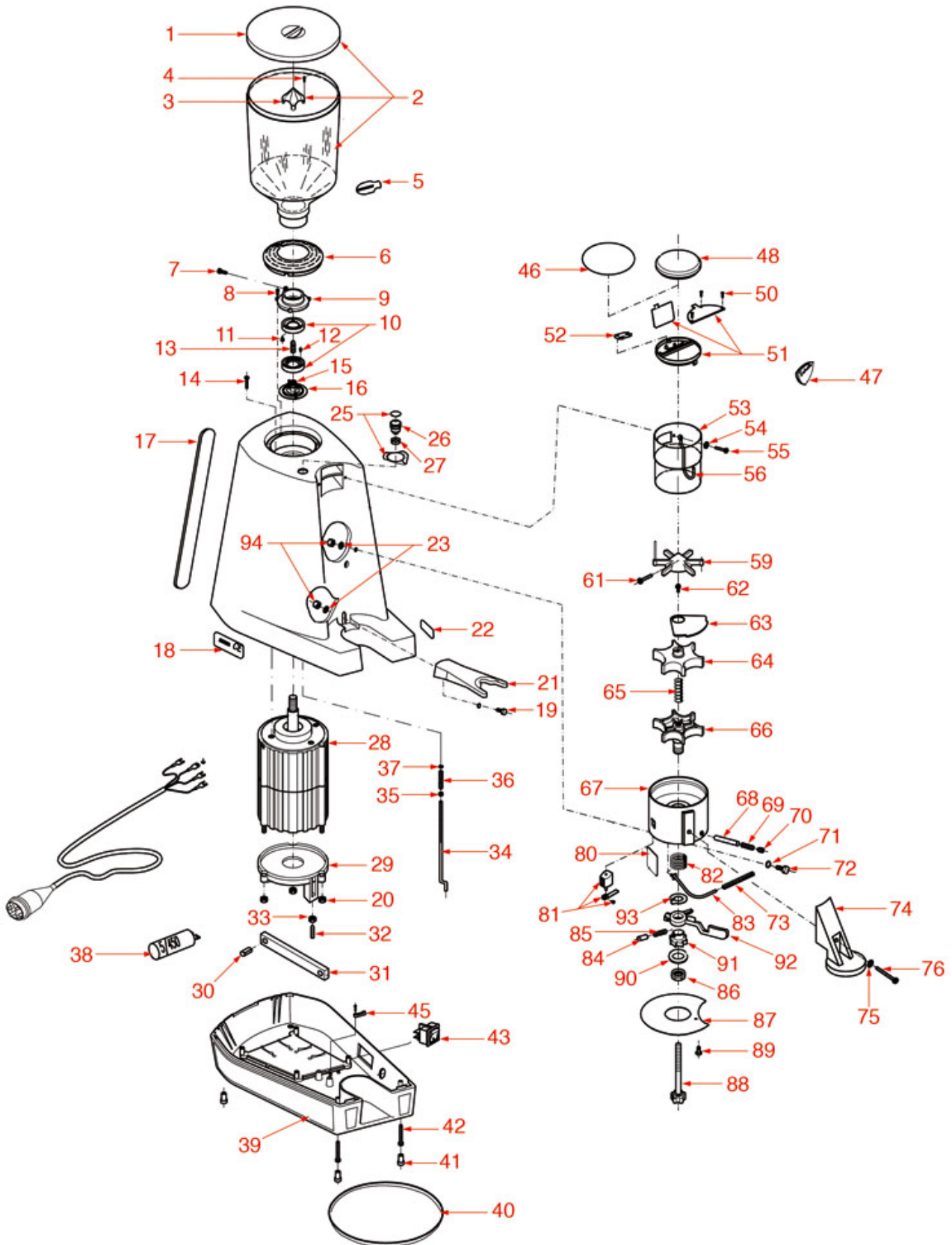


Position	LF code no.	Description
1	1080053	COFFEE HOPPER LID \varnothing 180 mm
2	1080055	COMPLETE HOPPER
3	1080058	COFFEE HOPPER INNER PROTECTION
5	1080059	COFFEE CONTAINER CLOSING SHEET
6	1251064	TOP GRINDING BURRS COVER
7	1528100	CROSS HEAD SCREW M4x12 UNI 7687
9	1251065	TOP HOLDER F/GRINDING BURRS 65mm
10	1251070	GRINDING BURRS EUREKA (PAIR) RH
10	1251074	GRINDING BURRS EUREKA (PAIR) RIGHT
11	1528001	SCREW M4x10 UNI 6109
12	1528001	SCREW M4x10 UNI 6109
13	1528038	GRINDING BURRS HOLDER LOCKING NUT
15	1186504	STAINLESS STEEL WASHER \varnothing 29x10.6x2 mm
16	1251059	GRINDING BURRS BOTTOM HOLDER
19	3528112	S/S SCREW T.E. M6x16 UNI 5739 DIN 24017
21	1252389	FILTER HOLDER FORK
26	1241113	ADJUSTMENT KNOB
33	1348813	HEXAGONAL NORM.NUT M4 ST.STEEL UNI 5588
35	1528030	ST.STEEL HEXAGONAL NUT M6 UNI 5588
36	1250131	TIE ROD ADJUSTMENT SPRING \varnothing 10x60 mm
40	1252385	COFFEE COLLECTING TRAY \varnothing 170 mm
41	1313005	FOOT \varnothing 20 mm
43	1240040	PUSH-BUTTON MICROSWITCH
44	1057008	SELECTOR SWITCH 0-1 POSITIONS
48	1252386	DOSER LID \varnothing 125 mm
51	1252391	AUTOMATIC MICROSWITCH BOX
52	3240123	MICROSWITCH 16A 250V
57	1252393	DOSER SCRAPER
59	1343034	PLASTIC TOP STAR
60	1252388	DOSER CYLINDER \varnothing 114x67 mm
62	1528631	CROSS HEAD SCREW M4x8 UNI 7687
63	1252392	DIVIDING SHEET
64	1343035	ALUMINUM MIDDLE STAR
65	1250132	STAR SPRING \varnothing 16x60 mm
66	1343037	ALUMINUM BOTTOM STAR
68	1252397	DOSER GROUP PIN \varnothing 5x30 mm
69	1250087	SPRING \varnothing 4.5x12 mm
72	3528112	S/S SCREW T.E. M6x16 UNI 5739 DIN 24017
73	1250134	DOSER LEVER RETURN SPRING 8x85 mm
74	1385012	COFFEE TAMPER \varnothing 56 mm
77	1240028	MICROSWITCH 6A 250V
81	1252390	COUNTER FOR COFFEE GRINDER
82	1250133	STAR SPRING \varnothing 36x23 mm
84	1252396	DOSER GROUP PIN \varnothing 5x18 mm
85	1250087	SPRING \varnothing 4.5x12 mm
86	1528039	NUT FOR DOSER GROUP
91	1252394	DOSER PAWL
92	1225023	DOSER LEVER
93	1252395	WASHER FOR DOSER LEVER
94	1528030	ST.STEEL HEXAGONAL NUT M6 UNI 5588



GRINDER ASSEMBLY MONDIAL MDME

MONDIAL MDME





EUREKA

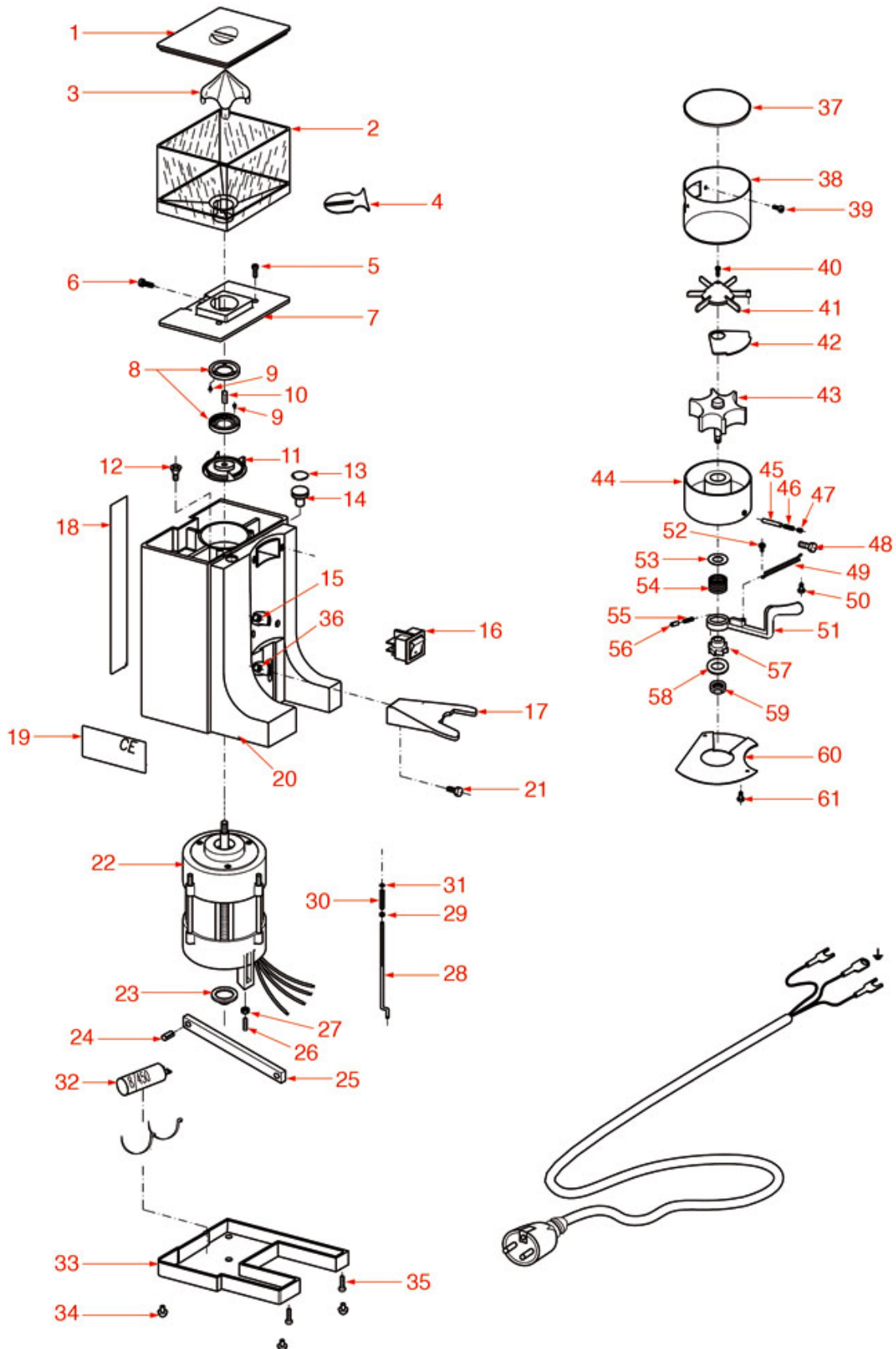


Position	LF code no.	Description
1	1080053	COFFEE HOPPER LID ø 180 mm
2	1080055	COMPLETE HOPPER
3	1080058	COFFEE HOPPER INNER PROTECTION
5	1080059	COFFEE CONTAINER CLOSING SHEET
6	1251064	TOP GRINDING BURRS COVER
7	1528100	CROSS HEAD SCREW M4x12 UNI 7687
9	1251067	TOP HOLDER FOR GRINDING BURRS 60 mm
10	1251068	GRINDING BURRS EUREKA (PAIR) RIGHT
11	3528291	CROSS HEAD FLUSH SCREW M4x8 UNI 7688
12	1528001	SCREW M4x10 UNI 6109
13	1528038	GRINDING BURRS HOLDER LOCKING NUT
15	1186504	STAINLESS STEEL WASHER ø 29x10.6x2 mm
16	1251059	GRINDING BURRS BOTTOM HOLDER
19	3528112	S/S SCREW T.E. M6x16 UNI 5739 DIN 24017
21	1162004	FILTER HOLDER PLASTIC FORK
26	1241113	ADJUSTMENT KNOB
33	1348813	HEXAGONAL NORM.NUT M4 ST.STEEL UNI 5588
35	1528030	ST.STEEL HEXAGONAL NUT M6 UNI 5588
36	1250131	TIE ROD ADJUSTMENT SPRING ø 10x60 mm
38	3068008	CAPACITOR µF 5 450V 50/60Hz
40	1252385	COFFEE COLLECTING TRAY ø 170 mm
41	1313005	FOOT ø 20 mm
43	3319294	BLACK BIPOLAR SWITCH 16A 250V
48	1252386	DOSER LID ø 125 mm
51	1252391	AUTOMATIC MICROSWITCH BOX
52	3240123	MICROSWITCH 16A 250V
53	1090002	DOSER CYLINDER ø 124/116x116 mm
59	1343034	PLASTIC TOP STAR
62	1528631	CROSS HEAD SCREW M4x8 UNI 7687
63	1343038	DIVIDING SHEET
64	1343039	CENTRAL STAR
65	1250132	STAR SPRING ø 16x60 mm
66	1343040	BOTTOM STAR
68	1252397	DOSER GROUP PIN ø 5x30 mm
69	1250087	SPRING ø 4.5x12 mm
72	3528112	S/S SCREW T.E. M6x16 UNI 5739 DIN 24017
73	1250134	DOSER LEVER RETURN SPRING 8x85 mm
74	1385012	COFFEE TAMPER ø 56 mm
81	1252398	COUNTER FOR COFFEE GRINDER RIGHTHAND
82	1250133	STAR SPRING ø 36x23 mm
84	1252396	DOSER GROUP PIN ø 5x18 mm
85	1250087	SPRING ø 4.5x12 mm
86	1528039	NUT FOR DOSER GROUP
91	1252394	DOSER PAWL
92	1225024	DOSER LEVER
93	1252395	WASHER FOR DOSER LEVER
94	1528030	ST.STEEL HEXAGONAL NUT M6 UNI 5588



GRINDER ASSEMBLY MIGNON MCF

MIGNON MCF



EUMC06

Positions without LF code no.: upon request



EUREKA



Position	LF code no.	Description
1	1080061	COFFEE HOPPER LID 107x107 mm
2	1080056	COFFEE HOPPER
3	1080058	COFFEE HOPPER INNER PROTECTION
4	1080060	STAINL.STEEL COFFEE CONT.CLOSING SHEET
5	1528100	CROSS HEAD SCREW M4x12 UNI 7687
6	1528100	CROSS HEAD SCREW M4x12 UNI 7687
8	1251069	GRINDING BURRS EUREKA (PAIR) RIGHT
9	1528042	SCREW M3x6 WITH CUT HEAD
16	3319294	BLACK BIPOLAR SWITCH 16A 250V
27	1528030	ST.STEEL HEXAGONAL NUT M6 UNI 5588
32	3068014	CAPACITOR μ F 8 450V 50/60Hz
36	1528030	ST.STEEL HEXAGONAL NUT M6 UNI 5588
37	1090005	HOPPER LID \varnothing 95 mm
38	1090004	DOSER CYLINDER \varnothing 95x60 mm
39	3528291	CROSS HEAD FLUSH SCREW M4x8 UNI 7688
41	1343044	TOP STAR
42	1343045	S/STEEL DIVIDING SHEET
43	1343050	BOTTOM STAR
45	1252399	DOSE GROUP PIN \varnothing 4x18 mm
46	1250135	DOSER CLASP SPRING \varnothing 4x18 mm
49	1250136	DOSER LEVER RETURN SPRING 4x48 mm
51	1225025	DOSER LEVER
54	1250137	STAR SPRING \varnothing 24x24 mm
55	1250138	PIN SPRING \varnothing 4x12 mm
56	1252400	DOSE GROUP PIN \varnothing 4x16 mm
57	1252402	PAWL 5 TEETH



Suitable for:

EUREKA



Suitable for:

Bearings

3063005 BEARING 6202 2RS
external \varnothing 35 mm -internal \varnothing 15 mm-thickness 11 mm



EUREKA 6030.6020

EUREKA 6030.6202

Bodies

1251064 TOP GRINDING BURRS COVER
for Grinder-dispenser (EUREKA) LUSSO MDML
MONDIAL MDMC - MONDIAL MDME
for Grinder-dispenser (NUOVA SIMONELLI) MDX - MDXA



EUREKA 2501.0006

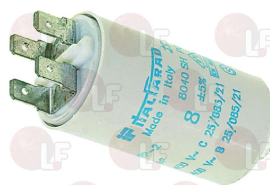
Capacitors

3068008 CAPACITOR μ F 5 450V 50/60Hz
operating temperature $-25+85^{\circ}\text{C}$
in compliance with EEC 93/68 and EEC 92/31 regulat



EUREKA 1013.0005

3068014 CAPACITOR μ F 8 450V 50/60Hz
operating temperature $-25+85^{\circ}\text{C}$
in compliance with EEC 93/68 and 92/31 regulations



EUREKA 1013.0008

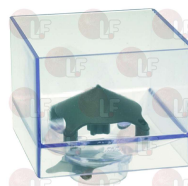
Containers for coffee

1080059 COFFEE CONTAINER CLOSING SHEET
for Coffee grinder (CASADIO) Istantaneo
for Grinder-dispenser (CASADIO) GC98 - G84
MOKABIX
for Grinder-dispenser (EUREKA) LUSSO MDLC
LUSSO MDLCA/C - LUSSO MDLCA65 - LUSSO MDML
MDMEA
for Grinder-dispenser (NUOVA SIMONELLI) MDL
MDLCA - MDLCA/C - MDX - MDXA



EUREKA 5101.0020

1080056 COFFEE HOPPER
for Grinder-dispenser (EUREKA) MCF
for Grinder-dispenser (NUOVA SIMONELLI) MCF



EUREKA 5104.0000

EUREKA 5104.0010

Suitable for:

1080058 COFFEE HOPPER INNER PROTECTION



EUREKA 5101.0012

Suitable for:

1080051 COFFEE HOPPER LID
for Grinder-dispenser (EUREKA) LUSO MDML



EUREKA 5103.0013

1080053 COFFEE HOPPER LID ø 180 mm
for Grinder-dispenser (EUREKA) MONDIAL MDMC
MONDIAL MDME
for Grinder-dispenser (NUOVA SIMONELLI) MDX - MDXA



EUREKA 5107.0013

1080061 COFFEE HOPPER LID 107x107 mm
for Grinder-dispenser (EUREKA) MCF
for Grinder-dispenser (NUOVA RICAMBI) MCF



EUREKA 5104.0013

1080057 COFFEE HOPPER LID 168x168 mm
for Grinder-dispenser (EUREKA) LUSO MDLCA65
LUSO MDLCA75
for Grinder-dispenser (NUOVA SIMONELLI) MDL
MDLCA - MDLCA/C



EUREKA 5101.0013

1080054 COMPLETE COFFEE HOPPER
for Grinder-dispenser (CASADIO) GC98 - G84
for Grinder-dispenser (EUREKA) MDLCA/C - MDLCA75
for Grinder-dispenser (NUOVA SIMONELLI) MDL
MDLCA - MDLCA/C



EUREKA 5101.0000

EUREKA 5101.0011

EUREKA 5201.0000

1080055 COMPLETE HOPPER
for Grinder-dispenser (EUREKA) MDMCA - MDMEA
for Grinder-dispenser (NUOVA SIMONELLI) MDX - MDXA



EUREKA 5107.0000

EUREKA 5107.0010

EUREKA 5207.0000

1080052 GLASS COFFEE HOPPER
for Grinder-dispenser (EUREKA) LUSO MDML



EUREKA 5108.0000

EUREKA 5108.0010

EUREKA 5208.0000

1080060 STAINL.STEEL COFFEE CONT.CLOSING SHEET
for Grinder-dispenser (EUREKA) MCF
for Grinder-dispenser (NUOVA SIMONELLI) MCF



EUREKA 5104.0020



Suitable for:

EUREKA



Suitable for:

Counters

1252390 COUNTER FOR COFFEE GRINDER
 for Grinder-dispenser (EUREKA) LUSO MDLCA/C
 LUSO MDLCA65 - LUSO MDLCA75 - LUSO MDML
 MONDIAL MDMC
 for Grinder-dispenser (NUOVA SIMONELLI) MDL
 MDLCA - MDLCA/C



EUREKA 2101.0012

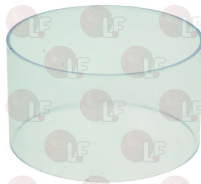
1252398 COUNTER FOR COFFEE GRINDER RIGHTHAND
 for Grinder-dispenser (EUREKA) MDMEA
 for Grinder-dispenser (NUOVA SIMONELLI) MDX - MDXA



EUREKA 2201.0012

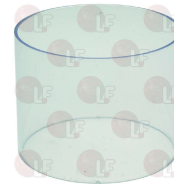
Dosers for coffee

1252388 DOSER CYLINDER ø 114x67 mm
 for Grinder-dispenser (EUREKA) LUSO MDML
 MONDIAL MDMC



EUREKA 2020.0004

1252387 DOSER CYLINDER ø 117x91 mm
 for Grinder-dispenser (EUREKA) LUSO MDLCA/C
 LUSO MDLCA65 - LUSO MDLCA75
 for Grinder-dispenser (NUOVA SIMONELLI) MDL
 MDLCA - MDLCA/C



EUREKA 2020.0001

1090002 DOSER CYLINDER ø 124/116x116 mm
 ø external 124/116 mm - height 116 mm
 for Grinder-dispenser (EUREKA) MDMEA
 for Grinder-dispenser (NUOVA SIMONELLI) MDX - MDXA



EUREKA 2010.0001

1090004 DOSER CYLINDER ø 95x60 mm
 for Grinder-dispenser (EUREKA) MCF
 for Grinder-dispenser (NUOVA SIMONELLI) MCF



EUREKA 2310.0019

1252386 DOSER LID ø 125 mm
 for Coffee grinder (EUREKA) MDL - MDX - MDXA
 for Grinder-dispenser (EUREKA) LUSO MDLCA/C
 LUSO MDLCA65 - LUSO MDLCA75 - LUSO MDML
 MDLCA - MDLCA/C - MONDIAL MDMC - MONDIAL MDME



EUREKA 2010.0004

1252393 DOSER SCRAPER
 for Grinder-dispenser (EUREKA) LUSO MDLCA/C
 LUSO MDLCA65 - LUSO MDLCA75 - LUSO MDML
 MONDIAL MDMC
 for Grinder-dispenser (NUOVA SIMONELLI) MDL
 MDLCA - MDLCA/C

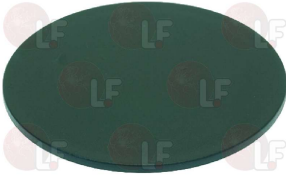


EUREKA 2020.0005

Suitable for:

Suitable for:

- 1090005 HOPPER LID \varnothing 95 mm**
 for Grinder-dispenser (EUREKA) MCF
 for Grinder-dispenser (NUOVA SIMONELLI) MCF



EUREKA 2310.0018

Feet

- 1313005 FOOT \varnothing 20 mm**



EUREKA 2501.0004

Forks for portafilter coffee grinder

- 1252389 FILTER HOLDER FORK**
 for Grinder-dispenser (ANFIM) LUSO MDLCA/C
 LUSO MDLCA65 - LUSO MDLC75 - LUSO MDML
 MONDIAL MDMC
 for Grinder-dispenser (NUOVA SIMONELLI) MDL
 MDLCA - MDLCA/C



EUREKA 2501.0011

- 1162004 FILTER HOLDER PLASTIC FORK**
 for Grinder-dispenser (EUREKA) MONDIAL MDME
 for Grinder-dispenser (NUOVA SIMONELLI) MDX - MDXA



EUREKA 2501.0010

Grinders

- 1251038 CONICAL GRINDING BURRS EUREKA (PAIR) RH**
 external \varnothing 68/49 mm - internal \varnothing 45/13 mm
 thickness 25 mm - 4 fixing holes
 for Grinder-dispenser (EUREKA) LUSO MDLCA/C
 for Grinder-dispenser (NUOVA SIMONELLI) MDLCA/C



EUREKA E-13/68

EUREKA E-13/68CP

- 1251070 GRINDING BURRS EUREKA (PAIR) RH**
 external \varnothing 70 mm - internal \varnothing 38 mm
 thickness 9 mm - 3 mounting holes
 for Grinder-dispenser (EUREKA) MONDIALMDM



EUREKA MAC70CP



Suitable for:

1251073 GRINDING BURRS EUREKA (PAIR) RH
 external \varnothing 85 mm - internal \varnothing 37 mm
 thickness 9 mm - 3 mounting holes
 for Grinder-dispenser (EUREKA) MCD



EUREKA MAC85

EUREKA MAC85CP

Suitable for:

1251060 GRINDING BURRS EUREKA (PAIR) RIGHT
 external \varnothing 74 mm - internal \varnothing 38 mm
 thickness 9 mm - 3 mounting holes
 for EUREKA LUSO MDLCA75-LUSO MDML
 for NUOVA SIMONELLI MDL-MDLCA
 for NUOVA SIMONELLI SUPERAUTOMATICA CAFFETTERIA ITALIANA
 for Grinder-dispenser (EUREKA) LUSO MDLCA75 LUSO MDML
 for Grinder-dispenser (NUOVA SIMONELLI) MDL MDLCA



EUREKA MAC74

EUREKA MAC74CP

EUREKA MAC75

1251068 GRINDING BURRS EUREKA (PAIR) RIGHT
 external \varnothing 60 mm - internal \varnothing 38 mm
 thickness 9 mm - 3 mounting holes
 for Grinder-dispenser (EUREKA) MDMEA



EUREKA MAC60

EUREKA MAC60CP

1251069 GRINDING BURRS EUREKA (PAIR) RIGHT
 \varnothing external 50 mm - \varnothing internal 30 mm
 thickness 8 mm - 3 mounting holes
 for Grinder-dispenser (EUREKA) MCF
 for Grinder-dispenser (NUOVA SIMONELLI) MCF



EUREKA MAC50

EUREKA MAC50CP

1251074 GRINDING BURRS EUREKA (PAIR) RIGHT
 external \varnothing 64 mm - internal \varnothing 38 mm
 thickness 9 mm - 3 mounting holes
 for Grinder-dispenser (EUREKA) MDLCA - MDMCA
 for Grinder-dispenser (NUOVA SIMONELLI) MDX - MDXA



EUREKA MAC64

EUREKA MAC64CP

EUREKA MAC64TR

EUREKA MAC65

Grinding burr holders

1251058 GRINDING BURRS BOTTOM HOLDER
 for Grinder-dispenser (EUREKA) LUSO MDLCA75 LUSO MDML
 for Grinder-dispenser (NUOVA SIMONELLI) MDL MDLCA



EUREKA 2520.0005

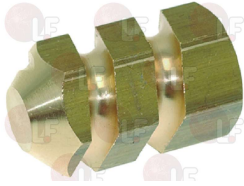
1251059 GRINDING BURRS BOTTOM HOLDER
 for Grinder-dispenser (EUREKA) LUSO MDLCA65 MONDIAL MDMC - MONDIAL MDME
 for Grinder-dispenser (NUOVA SIMONELLI) MDLCA MDXA



EUREKA 2501.0002

Suitable for:

1528038 GRINDING BURRS HOLDER LOCKING NUT
for Grinder-dispenser (EUREKA) LUSO MDLCA65
LUSO MDLC75 - LUSO MDML
for Grinder-dispenser (NUOVA SIMONELLI) MDL
MDLCA - MDX - MDXA



EUREKA 2501.0003

Suitable for:

1251065 TOP HOLDER F/GRINDING BURRS 65mm
for Grinder-dispenser (EUREKA) MDMCA
for Grinder-dispenser (NUOVA SIMONELLI) MDX - MDXA



EUREKA 2510.0005

1251067 TOP HOLDER FOR GRINDING BURRS 60 mm
for Grinder-dispenser (EUREKA) MDMEA



EUREKA 2512.0005

Ironmongery (screws,nuts,washers)

3528291 CROSS HEAD FLUSH SCREW M4x8 UNI 7688



EUREKA 6060.0032

1528100 CROSS HEAD SCREW M4x12 UNI 7687



EUREKA 6060.0010

1528631 CROSS HEAD SCREW M4x8 UNI 7687



EUREKA 6060.0068

1348813 HEXAGONAL NORM.NUT M4 ST.STEEL UNI 5588



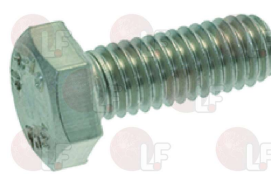
EUREKA 6062.0005

1528039 NUT FOR DOSER GROUP



EUREKA 2001.0002

3528112 S/S SCREW T.E. M6x16 UNI 5739 DIN 24017



EUREKA 6060.0003



EUREKA



Suitable for:

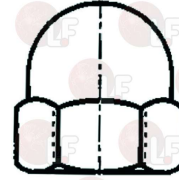
1528009 S/S SCREW T.E.M6x12 mm UNI 5739 DIN24017



EUREKA 6060.0004

Suitable for:

3528143 S/STEEL EXAGONAL BLIND NUT M5-200PCS
NF E 27-453



EUREKA 3001.0011

1528042 SCREW M3x6 WITH CUT HEAD



EUREKA 6060.0028

1528001 SCREW M4x10 UNI 6109



EUREKA 6060.0002

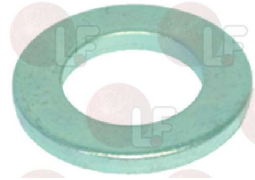
1528030 ST.STEEL HEXAGONAL NUT M6 UNI 5588



EUREKA 6062.0003

EUREKA 6062.0004

1186504 STAINLESS STEEL WASHER \varnothing 29x10.6x2 mm



EUREKA 6061.0001

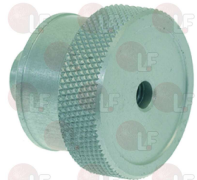
1252395 WASHER FOR DOSER LEVER



EUREKA 2001.0005

Knobs

1241113 ADJUSTMENT KNOB



EUREKA 2501.0001



Levers

- 1225023 DOSER LEVER**
 for Grinder-dispenser (EUREKA) LUSO MDLCA/C
 LUSO MDLCA65 - LUSO MDLCA75 - LUSO MDML
 MONDIAL MDMC
 for Grinder-dispenser (NUOVA SIMONELLI) MDL
 MDLCA - MDLCA/C



EUREKA 2101.0009

- 1225024 DOSER LEVER**
 for Grinder-dispenser (EUREKA) MDMEA
 for Grinder-dispenser (NUOVA SIMONELLI) MDX - MDXA



EUREKA 2201.0009

- 1225025 DOSER LEVER**
 for Grinder-dispenser (EUREKA) MCF
 for Grinder-dispenser (NUOVA SIMONELLI) MCF



EUREKA 2301.0002

Microswitches

- 1252391 AUTOMATIC MICROSWITCH BOX**
 without microswitch
 for Grinder-dispenser (EUREKA) LUSO MDLCA/C
 LUSO MDLCA65 - LUSO MDLCA75 - MONDIAL MDMC
 MONDIAL MDME
 for Grinder-dispenser (NUOVA SIMONELLI) MDL
 MDLCA - MDLCA/C - MDX - MDXA



EUREKA 2010.0003

- 3240123 MICROSWITCH 16A 250V**



EUREKA 1000.0002

- 1240028 MICROSWITCH 6A 250V**
 for Grinder-dispenser (EUREKA) LUSO MDLCA/C
 LUSO MDLCA65 - LUSO MDLCA75 - LUSO MDML
 MONDIAL MDMC
 for Grinder-dispenser (NUOVA SIMONELLI) MDL
 MDLCA - MDLCA/C



EUREKA 1000.0003

- 1240040 PUSH-BUTTON MICROSWITCH**
 for Grinder-dispenser (EUREKA) LUSO MDLCA/C
 LUSO MDLCA65 - LUSO MDLCA75 - LUSO MDML
 MONDIAL MDMC
 for Grinder-dispenser (NUOVA SIMONELLI) MDL
 MDLCA - MDLCA/C



EUREKA 1005.0006



Suitable for:

EUREKA



Suitable for:

Pawls for coffee grinder dosers

1252394 DOSER PAWL



EUREKA 2001.0004

1252402 PAWL 5 TEETH
for Grinder-dispenser (EUREKA) MCF
for Grinder-dispenser (NUOVA SIMONELLI) MCF



EUREKA 2301.0003

Pins

1252400 DOSE GROUP PIN \varnothing 4x16 mm



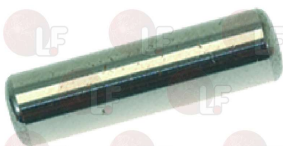
EUREKA 2301.0009

1252399 DOSE GROUP PIN \varnothing 4x18 mm



EUREKA 2301.0010

1252396 DOSER GROUP PIN \varnothing 5x18 mm



EUREKA 2001.0011

1252397 DOSER GROUP PIN \varnothing 5x30 mm



EUREKA 2001.0010

Rotary switches

1057008 SELECTOR SWITCH 0-1 POSITIONS
for Grinder-dispenser (EUREKA) LUSO MDLCA/C
LUSO MDLCA65 - LUSO MDLC75 - LUSO MDML
MONDIAL MDMC
for Grinder-dispenser (NUOVA SIMONELLI) MDL
MDLCA - MDLCA/C



EUREKA 1011.0003



Springs

1250135 DOSER CLASP SPRING \varnothing 4x18 mm



EUREKA 6002.2318

1250136 DOSER LEVER RETURN SPRING 4x48 mm
for EUREKA MCF
for NUOVA SIMONELLI MCF



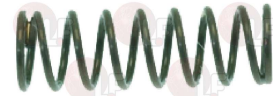
EUREKA 6002.2320

1250134 DOSER LEVER RETURN SPRING 8x85 mm
for EUREKA MDLCA65-MDLCA75-MDLCA/C-MDML
MONDIAL MDMC-MONDIAL MDME
for NUOVA SIMONELLI MDX-MDXA-MDL-MDLCA-MDLCA/C



EUREKA 6002.3162

1250138 PIN SPRING \varnothing 4x12 mm



EUREKA 6002.2319

1250087 SPRING \varnothing 4.5x12 mm



EUREKA 6002.1286

1250132 STAR SPRING \varnothing 16x60 mm
for EUREKA LUSO MDLCA65-MDLCA75-LUSO MDLCA/C
LUSO MDML-MONDIAL MDMC-MONDIAL MDME
for NUOVA SIMONELLI MDX-MDXA-MDL-MDLCA-MDLCA/C



EUREKA 6002.1128

1250137 STAR SPRING \varnothing 24x24 mm
for EUREKA MCF
for NUOVA SIMONELLI MCF



EUREKA 6002.2317

1250133 STAR SPRING \varnothing 36x23 mm
for EUREKA LUSO MDLCA65/MDLC75-LUSO MDLCA/C
LUSO MDML-MONDIAL MDMC-MONDIAL MDME
for NUOVA SIMONELLI MDX-MDXA-MDL-MDLCA-MDLCA/C



EUREKA 6002.1092

1250131 TIE ROD ADJUSTMENT SPRING \varnothing 10x60 mm



EUREKA 6002.7360



Suitable for:

EUREKA



Suitable for:

Stars and spare parts

1343037 ALUMINUM BOTTOM STAR

for Grinder-dispenser (EUREKA) LUSO MDLCA/C
LUSO MDLCA65 - LUSO MDLC75 - LUSO MDML
MONDIAL MDMC
for Grinder-dispenser (NUOVA SIMONELLI) MDLCA
MDLCA/C



EUREKA 2101.0013

1343035 ALUMINUM MIDDLE STAR

for Grinder-dispenser (EUREKA) LUSO MDLCA/C
LUSO MDLCA65 - LUSO MDLC75 - LUSO MDML
MONDIAL MDMC
for Grinder-dispenser (NUOVA SIMONELLI) MDL
MDLCA - MDLCA/C



EUREKA 2001.0113

1343040 BOTTOM STAR

for Grinder-dispenser (EUREKA) MDMEA
for Grinder-dispenser (NUOVA SIMONELLI) MDX - MDXA



EUREKA 2201.0013

1343050 BOTTOM STAR

for Grinder-dispenser (EUREKA) MCF
for Grinder-dispenser (NUOVA SIMONELLI) MCF



EUREKA 2301.0013

1343039 CENTRAL STAR

for Grinder-dispenser (EUREKA) MDMEA
for Grinder-dispenser (NUOVA SIMONELLI) MDX - MDXA



EUREKA 2001.0013

1252392 DIVIDING SHEET



EUREKA 2001.1014

1343038 DIVIDING SHEET

for Grinder-dispenser (EUREKA) MDMEA
for Grinder-dispenser (NUOVA SIMONELLI) MDX - MDXA



EUREKA 2001.0014

1343034 PLASTIC TOP STAR

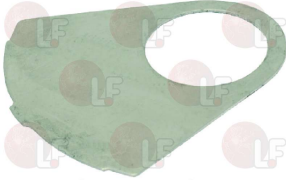
for Grinder-dispenser (EUREKA) LUSO MDLCA/C
LUSO MDLCA65 - LUSO MDLC75 - LUSO MDML
MONDIAL MDMC - MONDIAL MDME
for Grinder-dispenser (NUOVA SIMONELLI) MDL
MDLCA/C - MDX - MDXA



EUREKA 2001.0016

Suitable for:

1343045 S/STEEL DIVIDING SHEET
for Grinder-dispenser (EUREKA) MCF
for Grinder-dispenser (NUOVA SIMONELLI) MCF



EUREKA 2301.0014

Suitable for:

1343044 TOP STAR
for Grinder-dispenser (EUREKA) MCF
for Grinder-dispenser (NUOVA SIMONELLI) MCF



EUREKA 2301.0016

Switches

3319294 BLACK BIPOLAR SWITCH 16A 250V
with red led indicator light
mounting hole 30x22 mm



EUREKA 1011.0001

Tampers for coffee

1385012 COFFEE TAMPER ø 56 mm



EUREKA 2001.0017

Trays

1252385 COFFEE COLLECTING TRAY ø 170 mm
for Grinder-dispenser (EUREKA) LUSO MDLC
LUSO MDLCA/C - LUSO MDLCA65 - LUSO MDML
MONDIAL MDMC - MONDIAL MDME
for Grinder-dispenser (NUOVA SIMONELLI) MDL
MDLCA - MDLCA/C - MDX - MDXA



EUREKA 2501.0005

The data herewith contained may change without notice and LF SpA cannot be held responsible for possible errors stated or resulting by the use of this document. All rights reserved. No part of this publication may be reproduced without written permission by LF SpA.



LF SpA
via Voltri, 80 - 47522 Cesena (FC) ITALIA
Tel. +39 0547 34 11 11 - Fax +39 0547 34 11 10
www.lfircambi724.it - www.lfircambi724.mobi
info@lfircambi.it
Export Dept.: Tel. +39 0547 34 11 50 - Fax: +39 0547 34 11 55
www.lfspareparts724.com - www.lfspareparts724.mobi
export@lfspareparts.com

FRANCE



EPGC Sas
13, Rue des Forts - 59960 Neuville en Ferrain
Tél. +33 (0)3 20 25 06 21
Fax +33 (0)3 20 25 34 12
www.epgc.com
www.epgc724.mobi
epgc@epgc.com

DEUTSCHLAND



LF GmbH
Junkersstrasse, 1 - D-82178 Puchheim - München
Tel. +49 89 89 45 78 66
Fax +49 89 89 45 78 88
www.lfersatzteile724.de
www.lfersatzteile724.mobi
info@lfersatzteile.de

SCHWEIZ



LF GmbH Verkaufsbüro
Sennweidstrasse, 45 - CH-6312 Steinhausen
Tel. +41 (0)41 760 15 80-1
Fax +41 (0)41 760 15 85
www.lfersatzteile724.ch
www.lfersatzteile724.mobi
info@lfersatzteile.ch

ESPAÑA



LF Repuestos Horeca S.L.U.
Calle Ciudad Real, 10 - 45517 Escalonilla - Toledo
Tif. +34 91 477 91 00
Fax +34 91 477 90 81
www.lfrepuestos724.es
www.lfrepuestos724.mobi
info@lfrepuestos.es

UNITED KINGDOM



LF Spare Parts Ltd.
A10a Lakeside Business Park, Broadway Lane
South Cerney, Gloucestershire GL7 5XL
Tel. +44 (0)1285 86 16 25
Fax +44 (0)1285 86 39 49
www.lfspareparts724.co.uk
www.lfspareparts724.mobi
info@lfspareparts.co.uk

RUSSIA



OOO LF
ul, Anatoliya Zhivova, 8 - office 1 - 123100 Moscow
Tel. +7 499 259 85 75
Fax +7 495 725 26 53
www.lfspareparts724.ru
www.lfspareparts724.mobi
info@lfspareparts.ru

CHINA



LF China
Room 102, House 8, Lane 725, Mao Tai Rd.
Changning Dist. - 200336 Shanghai
Tel. +86 (0)21 33 53 66 31
Fax +86 (0)21 33 53 66 32
www.lfspareparts724.com
www.lfspareparts724.mobi
china@lfspareparts.com